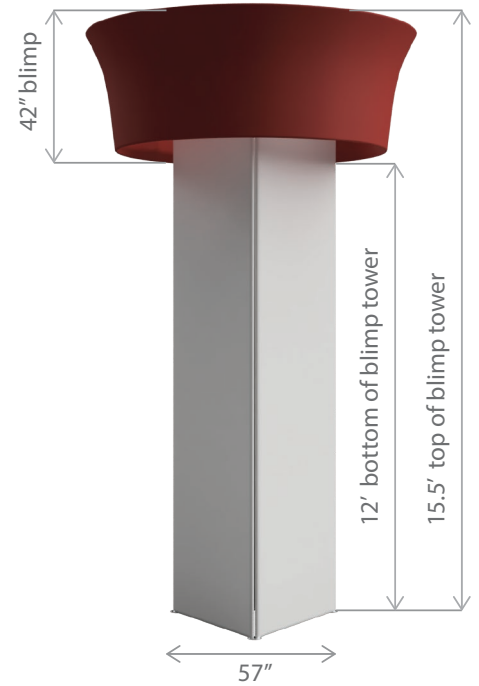
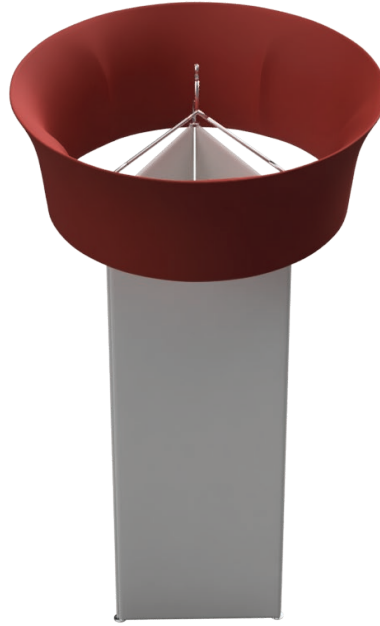
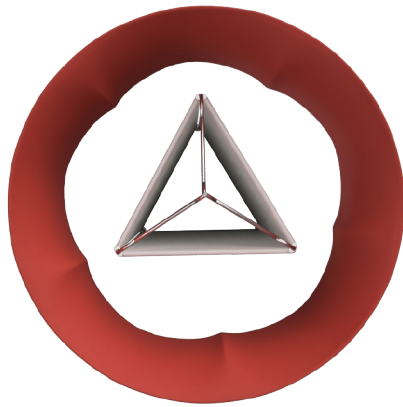


# Waveline Triangle Blimp Tower

BETW48



## PARTS INCLUDED

**Straight Poles:** (6)WLM#03  
(6)WLM#12  
(3)WLM#45



**Black Fiber Poles:** (6)BFP48



(2) Bag

**Corner Poles:** (3)WLM#112  
(12)WLM#35



(1) Three-way Connector Pole  
WLM#43



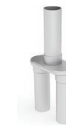
(2) 10' Blimp Tube Rings



(3) 90 Degree Clamp  
WLM-CM90



(3) Circular Double  
Round Foot  
WLM#33



(4) Top Support Post  
WLM#56



(1) Carousel Pole  
with Cable  
WLM#44



(4) Fabric Graphics



## DISPLAY CONSTRUCTION

Aluminum frame

## LIMITED WARRANTY PERIODS

- Frame : Lifetime      - Graphics : 30 days

## GRAPHIC MATERIAL & FINISHING

Dye sublimated on One Planet, 100% recycled, fabric.  
Top grade YKK zippers.

Bottles recycled

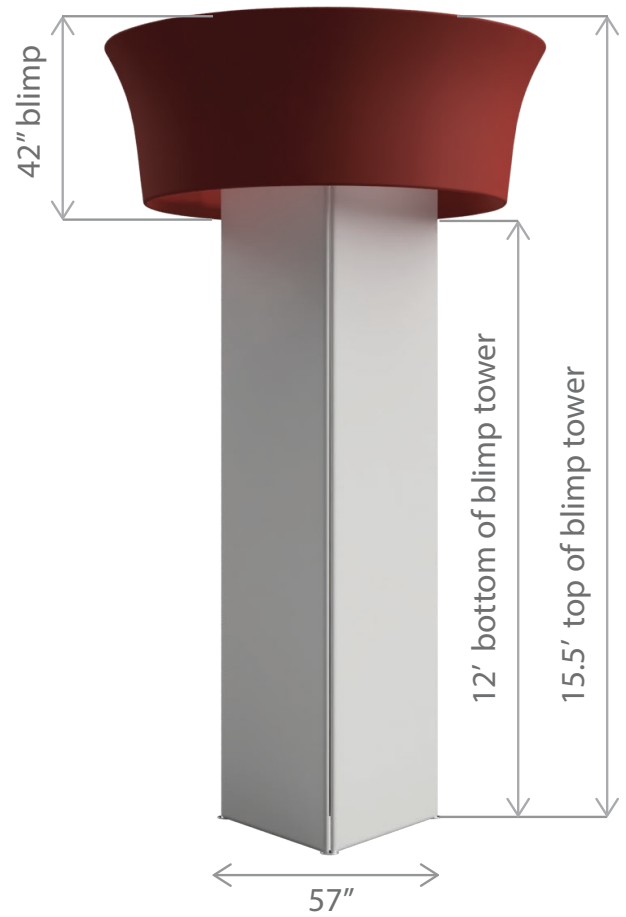
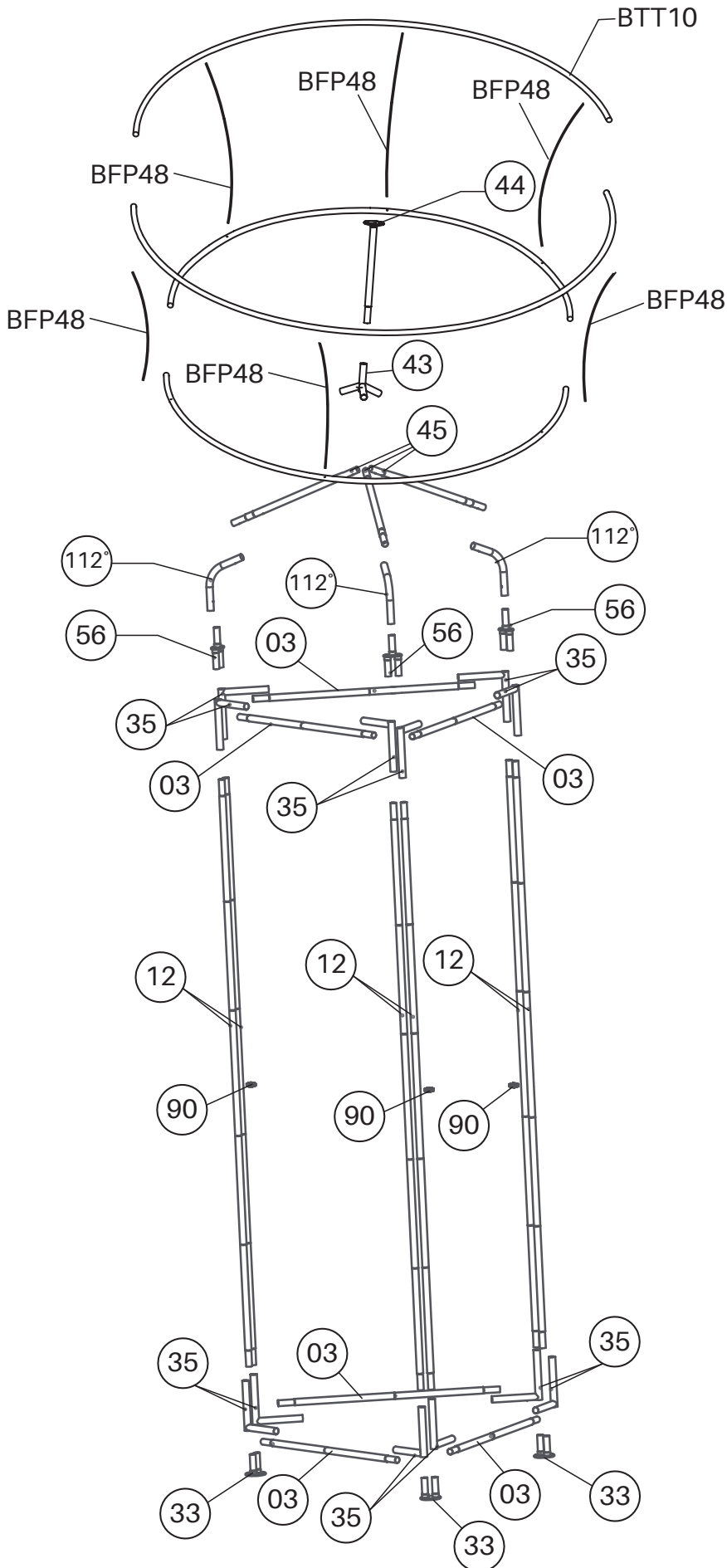
**686**

## DIMENSIONS

Assembled Unit	57" w x 186" h
Graphic Size	(3) 57" w x 150.5" h (1) 119.9" w x 54.7" h
Shipping Box	(1) 36" w x 14" h x 14" d 38 lbs (1) 36" w x 14" h x 14" d 37 lbs

# Waveline Triangle Blimp Tower

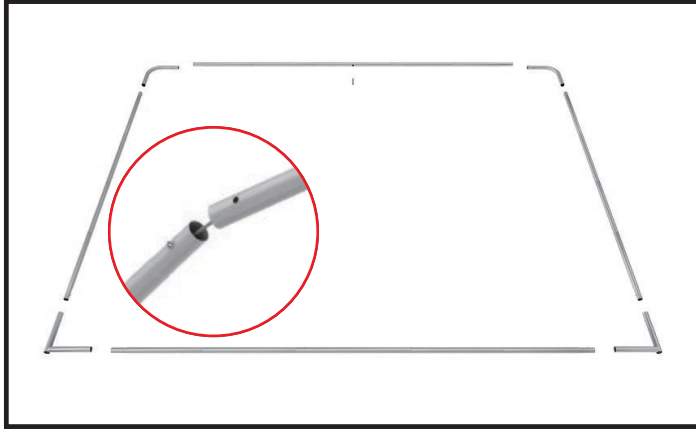
BETW48



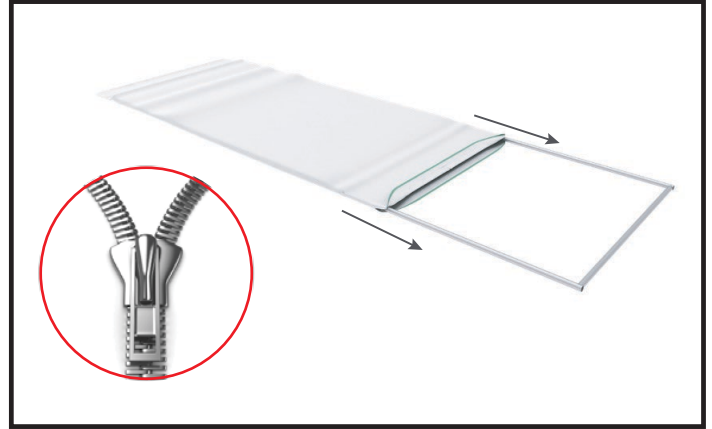
BETW48	
QTY	PART NUMBER
1	BTT10
6	BFP48
1	WLM#44
1	WLM#43
3	WLM#45
3	WLM#112
3	WLM#56
6	WLM#03
3	WLM#33
6	WLM#12
12	WLM#35
3	WLM-CM90
1	Cable

# Waveline Triangle Blimp Tower

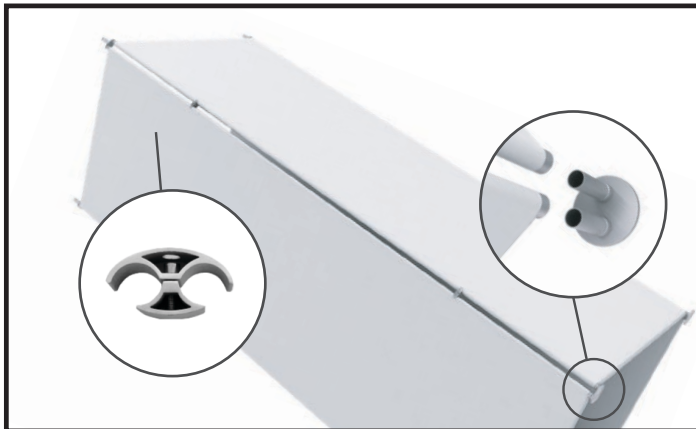
BETW48



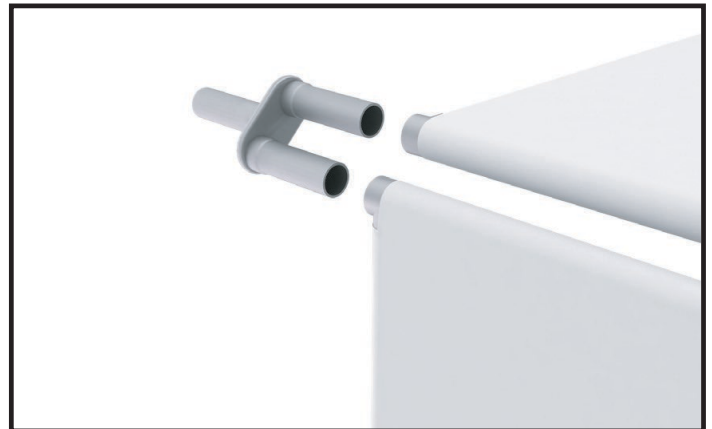
- 1 Connect corner poles to the straight poles by matching the shape codes, to build three side panels.



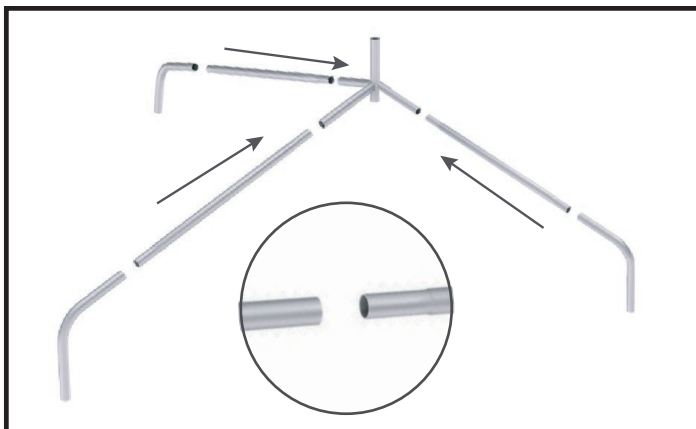
- 2 Feed the fabric from the top of the frame, only a few feet at a time. Close the zipper. Repeat process for the rest of the panels.



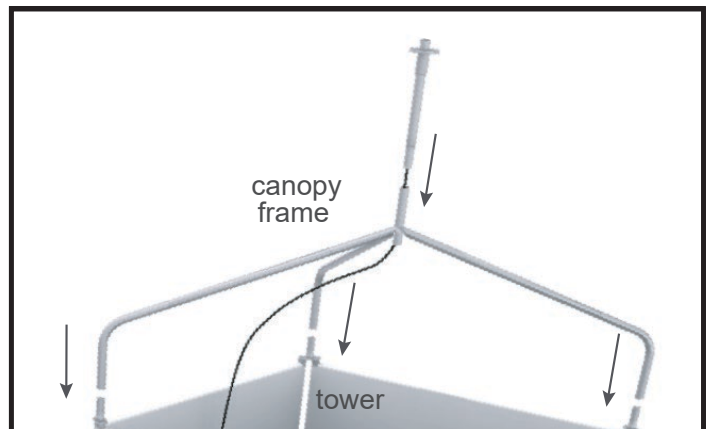
- 3 Install bottom circular feet by joining two panels together and inserting dual posts into bottom of the frame corners. Install the 90° clamps between panels for stability. Repeat process for all four sides.



- 4 Install top support posts by joining two panels together and inserting dual posts into frame corners. Repeat process for all four sides.



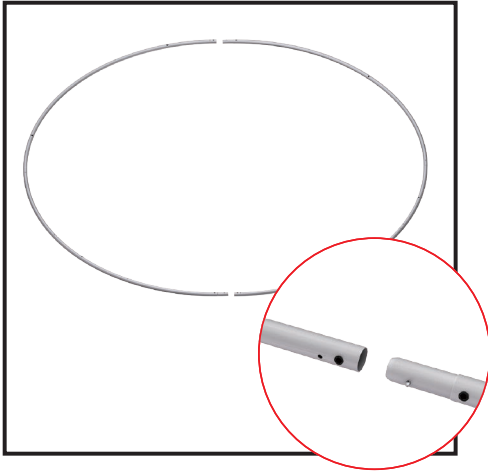
- 5 Assemble canopy frame by pushing the round WLM#112° corner pipes into the WLM#46 straight poles. Connect the sections to the 4-way connector pole.



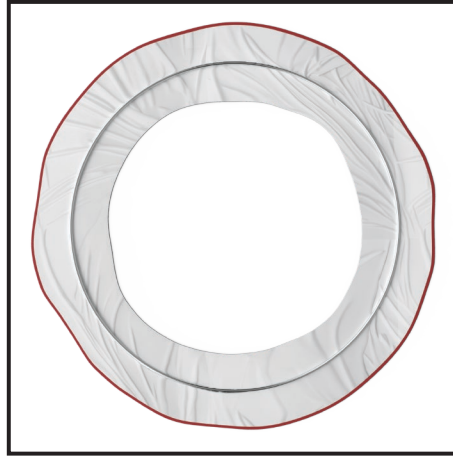
- 6 Connect canopy frame to tower. Insert center carousel pole by running the power cord down through the canopy frame center pole and pushing into place.

# Waveline Triangle Blimp Tower

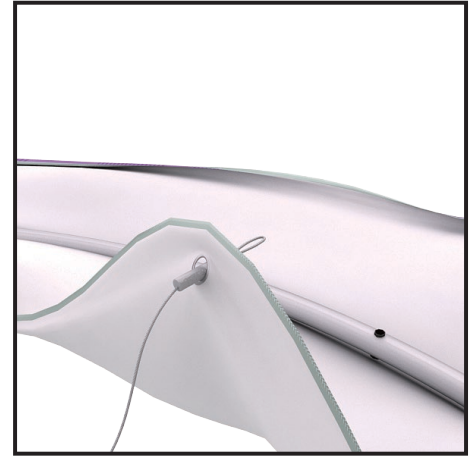
BETW48



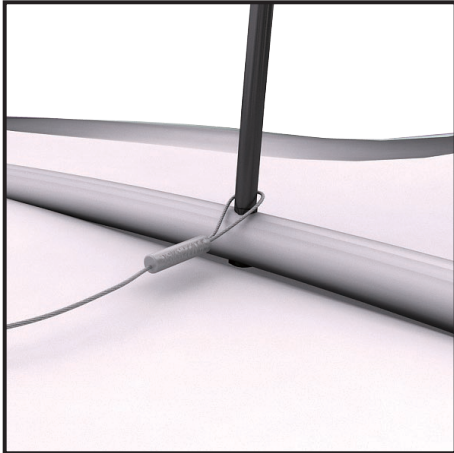
- 7 Lay out parts according to the assembly diagram and push the pipes together to build two rings. Connect sections with matching shape codes.



- 8 Make sure the holes meant for the black fiber poles are facing upward, place bottom frame on top of the spread out graphic.



- 9 Thread the cable supports through eyelets and place them over the holes of the bottom frame.



- 10 Insert a black fiber pole through one of the cable loops and into one of the holes the bottom frame.



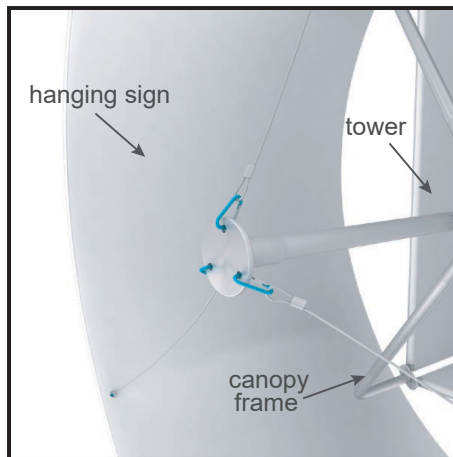
- 11 Place the other end of the black fiber pole into the corresponding hole of the top frame.



- 12 Use some force to connect the sections of the black fiber pole together. Repeat steps 4-6 until frame is assembled.



- 13 Use the cable supports to help pull fabric up to the top of the frame. Zip and close.



- 14 With tower and hanging sign on their sides, attach hanging sign to center carousel pole using cables and clips.



- 15 Push tower up into position. Connect motor to power.